

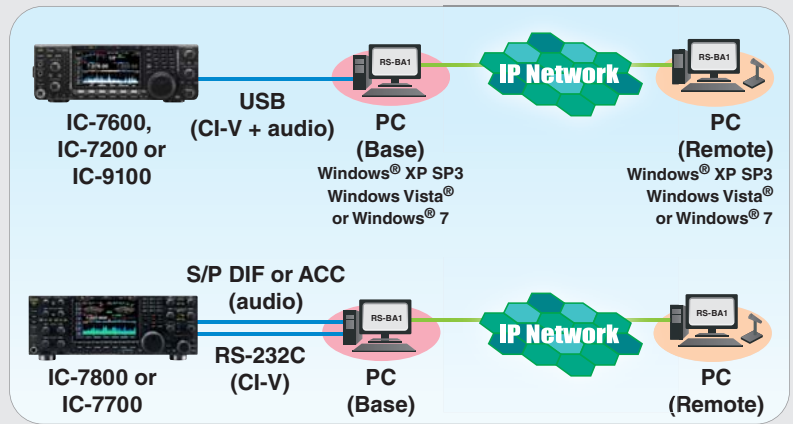
## Advanced Remote Control Software and Hardware

- Use your Icom transceiver from anywhere, in another room or from a remote location over the internet.
- Low voice latency provides audio quality as if you were in the same room.
- Most radio functions and modes
  - Custom radio configuration
  - Memory channels
  - Interference rejection functions
  - IF filter settings
  - S-meter and SWR can be observed
  - Rx voice recording function

The RS-BA1 consists with two components software applications; System configuration software and remote control software. The system configuration software sets up IP address, audio sampling rate and other settings. The remote control software provides a user interface, similar to the radio's front panel, and allows you to control the radio from a remote location.

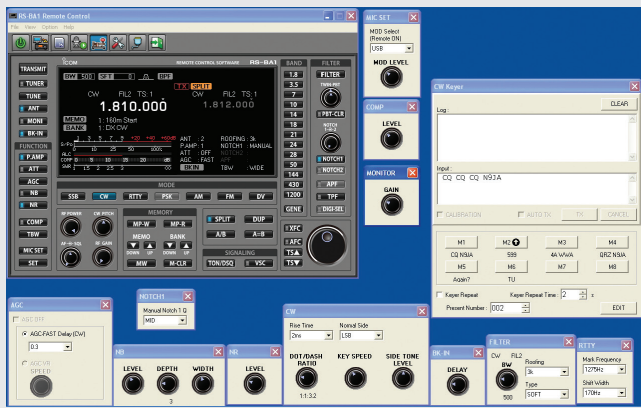
The IC-7600, IC-7200 or IC-9100 can be connected to a PC with a USB cable and the input/output audio signal and CI-V command is sent through the USB cable.

The IC-7800 or IC-7700 can be connected to a PC with a RS-232C cable plus S/P DIF or ACC cable.

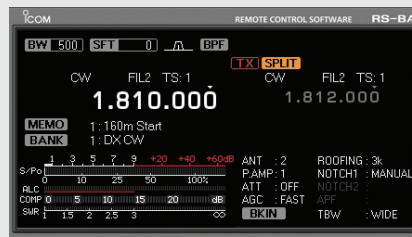


All stated features, appearances, screen shots, and specifications may be subject to change without notice. Icom, Icom Inc. and the Icom logo are registered trademarks of Icom Incorporated (Japan) in the United States, the United Kingdom, Germany, France, Spain, Russia, Japan and/or other countries.

Customization

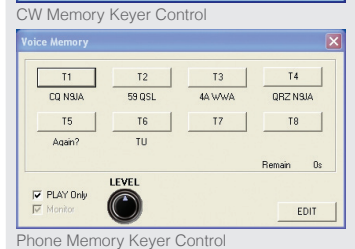
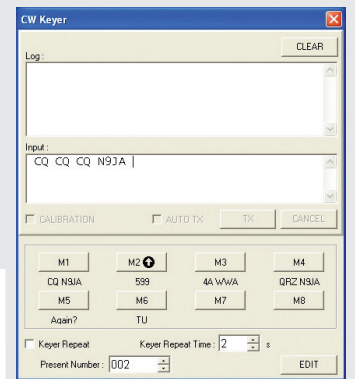


Control Panel, configure how you want



Main Display, shows radio functions like an Icom radio

- Drag and drop
- Resize control windows
- Arrange the controls how you want
- CW/Voice Memory Keyer tabs that say what you want



Minimum System Requirements

PC (Base station or Remote station)

When only one radio and one Remote station are connected to the Base station.

Operating System	Microsoft® Windows® 7 (32/64 bit) Microsoft® Windows Vista® (32/64 bit) Microsoft® Windows XP® (Service Pack 3 or later)
CPU	Pentium 4 1 GHz or better (A multicore CPU is recommended)
Memory	Windows XP: 512 MB or more Windows Vista: 1 GB or more Windows 7 (32 bit): 1 GB or more Windows 7 (64 bit): 2 GB or more
HDD	70 MB of available disk space, or more (The Voice Memory function or recording function will need more)
Display Resolution	1024 x 600 pixels, or more
Network Data Speed	For the Base station: Upload 500 kbps, or faster Download 350 kbps, or faster For the Remote station: Upload 350 kbps, or faster Download 500 kbps, or faster (When the default audio quality is used)
Remark	We recommend the use of the on-board sound chipset. The CPU may have a heavy load, when an external sound device, such as USB audio converter, is used.

This is the minimum system requirement to use the RS-BA1. Because the system requirements may differ, depending on your PC environment (permanently running software such as antivirus software, peripheral devices, network condition, settings of OS and other software), the operation is not guaranteed.

Accessory

RC-28



- Remote control USB encoder
- Use in conjunction with the RS-BA1 software
- Same tuning knob and encoder as used on Icom HF radios
- Remote tuning control features programmable function keys

Icom America Inc.

www.icomamerica.com

Count on us!

Icom America Inc.

2380 116th Avenue NE,  
Bellevue, WA 98004, U.S.A.  
Phone: +1 (425) 454-8155  
Fax: +1 (425) 454-1509  
E-mail: sales@icomamerica.com  
URL: http://www.icomamerica.com

Icom New Zealand

146A Harris Road, East Tamaki,  
Auckland, New Zealand  
Phone: +64 (09) 274 4062  
Fax: +64 (09) 274 4708  
E-mail: inquiries@icom.co.nz  
URL: http://www.icom.co.nz

Icom (UK) Ltd.

Blacksole House, Alitra Park,  
Herne Bay, Kent, CT6 6GZ, U.K.  
Phone: +44 (0) 1227 741741  
Fax: +44 (0) 1227 741742  
E-mail: info@icom.co.uk  
URL: http://www.icom.co.uk

Asia Icom Inc.

6F No. 68, Sec. 1 Cheng-Teh Road,  
Taipei, Taiwan, R.O.C.  
Phone: +886 (02) 2559 1899  
Fax: +886 (02) 2559 1874  
E-mail: sales@asia-icom.com  
URL: http://www.asia-icom.com

Icom Canada

Glenwood Centre #150-6165 Highway 17,  
Delta, B.C., V4K 5B8, Canada  
Phone: +1 (604) 952-4266  
Fax: +1 (604) 952-0090  
E-mail: info@icomcanada.com  
URL: http://www.icomcanada.com

Icom (Europe) GmbH

Communication Equipment  
Auf der Krautweide 24  
65812 Bad Soden am Taunus, Germany  
Phone: +49 (6196) 76685-0  
Fax: +49 (6196) 76685-50  
E-mail: info@icomeurope.com  
URL: http://www.icomeurope.com

Icom France s.a.s.

Zac de la Plaine,  
1 Rue Brindejonc des Moulinais, BP 45804,  
31505 Toulouse Cedex 5, France  
Phone: +33 (5) 61 36 03 03  
Fax: +33 (5) 61 36 03 00  
E-mail: icom@icom-france.com  
URL: http://www.icom-france.com

Beijing Icom Ltd.

10007, Long Silver Mansion, No.88, Yong Ding  
Road, Haidian District, Beijing, 100039, China  
Phone: +86 (010) 5889 5391/5392/5393  
Fax: +86 (010) 5889 5395  
E-mail: bjicom@bjicom.com  
URL: http://www.bjicom.com

Icom (Australia) Pty. Ltd.

Unit 1 / 103 Garden Road,  
Clayton, VIC 3168 Australia  
Phone: +61 (03) 9549 7500  
Fax: +61 (03) 9549 7505  
E-mail: sales@icom.net.au  
URL: http://www.icom.net.au

Icom Spain S.L.

Ctra. Rubi, No. 88 "Edificio Can Castanyer"  
Bajos A 08174, Sant Cugat del Valles,  
Barcelona, Spain  
Phone: +34 (93) 590 26 70  
Fax: +34 (93) 589 04 46  
E-mail: icom@icomspain.com  
URL: http://www.icomspain.com

Icom Polska

81-850 Sopot, ul. 3 Maja 54, Poland  
Phone: +48 (58) 550 7155  
Fax: +48 (58) 551 0484  
E-mail: icompolska@icompolska.com.pl  
URL: http://www.icompolska.com.pl

Your local distributor/dealer:



NETHERLANDS | Roermond  
Tel. +31 (0)475-327390  
www.classicinternational.eu

GERMANY | Mönchengladbach  
Tel. +49 (0)2166-33061  
www.classicinternational.eu