

INTRODUCTION

The MFJ-1708 RF Sense T/R switch senses transmitted RF and switches your antenna from receive to transmit using a relay. It shorts your receiver antenna input to ground to protect your receiver. It provides an auxiliary contact closure to ground during receive (opened in transmit) for an "On-the-Air" sign or other use. It also has a control line input, which lets your key/keyer or PTT line switch the antenna.

An adjustable time delay circuit gives you delayed switching. This prevents your antenna from switching between dots and dashes or between syllable and words.

TECHNICAL DESCRIPTION

The MFJ-1708 RF Sense T/R switch uses a relay, which switches from transmit to receive mode. When no power is applied to the unit, it is in the transmit mode. Once power is applied the relay switches on and the unit is in receive mode. When the unit senses RF or the control line is grounded from a keyer or PTT switch, it switches the relay off and the unit is in transmit mode.

The delay adjustment allows you to change how fast the relay switches back to the receive mode. It is adjustable from 0 to 2 seconds.

The auxiliary jack provides a contact closure to ground during receive (opened in transmit) for an "On-the-Air" sign or other use.

The MFJ-1708 RF Sense T/R switch requires 12 VDC or 110 VAC with MFJ-1315 power supply.

CONTROLS

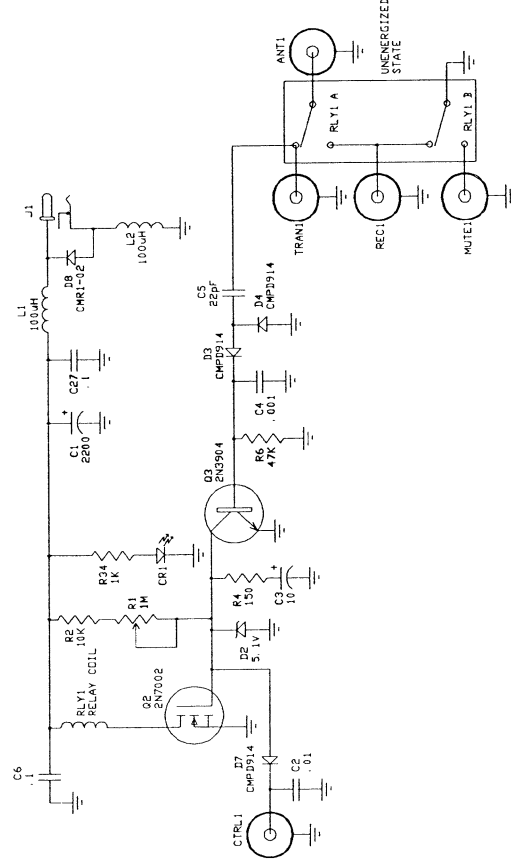
- Power.....2.1mm Coaxial power input jack with center pin positive and shield negative
- Control.....RCA input jack
- Aux.....RCA input jack
- Delay.....Controls time delay for switching
- Transmit.....SO-239 Coaxial connector
- Antenna.....SO-239 Coaxial connector
- Receive.....SO-239 Coaxial connector

TECHNICAL ASSISTANCE

If you have any problem with this unit first check the appropriate section of this manual. If the manual does not reference your problem or your problem is not solved by reading the manual you may call *MFJ Technical Service* at 662-323-0549 or the *MFJ Factory* at 662-323-5869. You will be best helped if you have your unit, manual and all information on your station handy so you can answer any questions the technicians may ask.

You can also send questions by mail to MFJ Enterprises, Inc., 300 Industrial Park Road, Starkville, MS 39759; by Facsimile to 662-323-6551; or by email to techinfo@mfjenterprises.com. Send a complete description of your problem, an explanation of exactly how you are using your unit, and a complete description of your station.

SCHEMATIC



LIMITED 12 MONTH WARRANTY

MFJ Enterprises, Inc. warrants to the original owner of this product, if manufactured by MFJ Enterprises, Inc. and purchased from an authorized dealer or directly from MFJ Enterprises, Inc. to be free from defects in material and workmanship for a period of 12 months from date of purchase provided the following terms of this warranty are satisfied:

1. The purchaser must retain the dated proof-of-purchase (bill of sale, canceled check, credit card or money order receipt, etc.) describing the product to establish the validity of the warranty claim and submit the original or machine reproduction of such proof of purchase to MFJ Enterprises, Inc. at the time of warranty service. MFJ Enterprises, Inc. shall have the discretion to deny warranty without dated proof-of-purchase. Any evidence of alteration, erasure, or forgery shall be cause to void any and all warranty terms immediately.
2. MFJ Enterprises, Inc. agrees to repair or replace at MFJ's option without charge to the original owner any defective product under warrantee provided the product is returned postage prepaid to MFJ Enterprises, Inc. with a personal check, cashiers check, or money order for \$7.00 covering postage and handling.
3. This warranty is NOT void for owners who attempt to repair defective units. Technical consultation is available by calling Service Department at 662-323-0549 or the MFJ Factory at 662-323-5869.
4. This warranty does not apply to kits sold by or manufactured by MFJ Enterprises, Inc.
5. Wired and tested PC board products are covered by this warranty provided only the wired and tested PC board product is returned. Wired and tested PC boards installed in the owner's cabinet or connected to switches, jacks, or cables, etc. sent to MFJ Enterprises, Inc. will be returned at the owner's expense unrepaid.
6. Under no circumstances is MFJ Enterprises, Inc. liable for consequential damages to person or property by the use of any MFJ products.
7. Out-of-Warranty Service: MFJ Enterprises, Inc. will repair any out-of-warranty product provided the unit is shipped prepaid. All repaired units will be shipped COD to the owner. Repair charges will be added to the COD fee unless other arrangements are made.
8. This warranty is given in lieu of any other warranty expressed or implied.
9. MFJ Enterprises, Inc. reserves the right to make changes or improvements in design or manufacture without incurring any obligation to install such changes upon any of the products previously manufactured.
10. All MFJ products to be serviced in-warranty or out-of-warranty should be addressed to:
MFJ Enterprises, Inc.
300 Industrial Park Road
Starkville, Mississippi 39759 USA
11. This warranty gives you specific rights, and you may also have other rights which vary from state to state.

MFJ

RF Sense Transmit/Receive Switch

Model MFJ-1708



INSTRUCTION MANUAL

CAUTION: Read All Instructions Before Operating Equipment

MFJ ENTERPRISES, INC.

300 Industrial Park Road
Starkville, MS 39759 USA
Tel: 662-323-5869 Fax: 662-323-6551