

Model SDB 270
Dual Band Mobile Antenna 145-435 MHz



DESCRIPTION

Dual Band mobile antenna conceived to cover the radio-amateur band of 2m 70cm, without tuning adjustments. It has been made of high quality materials to get the best efficiency. The whip is of black chromed stainless steel and all its metallic components are of brass to guarantee the maximum strength. It is supplied with "SL-S" mount.

SPECIFICATIONS

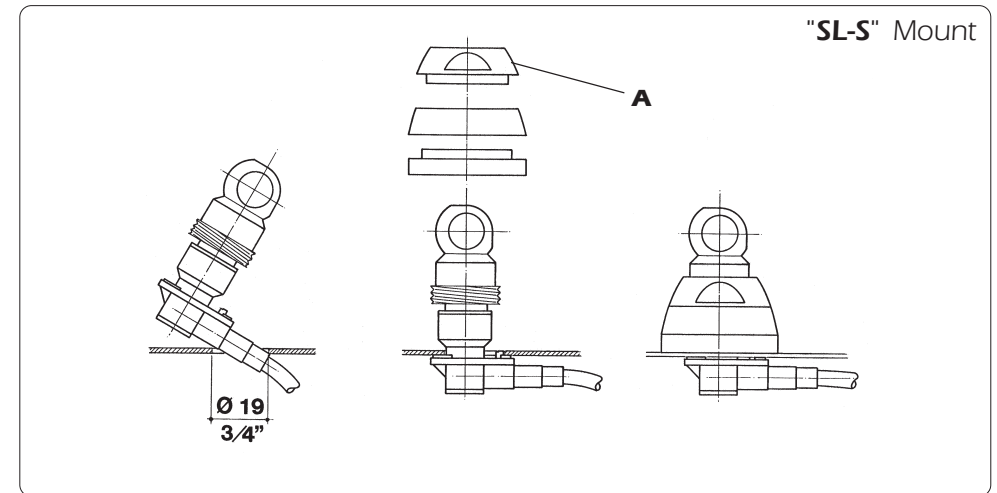
Electrical Data

Type	:	VHF $1/4 \lambda$; UHF $3/4 \lambda$
Design Frequency	:	VHF 145 MHz; UHF 435 MHz
Impedance	:	50 Ω Unbalanced
Radiation	:	Omnidirectional
Polarization	:	Vertical
Gain	:	0 dB ref. to a $\lambda/4$ whip
Bandwidth at S.W.R. 2:1	:	VHF 17 MHz; UHF 40MHz
S.W.R. at f. res.	:	VHF $\leq 1.5 : 1$, UHF $\leq 1.2 : 1$
Max Power	:	100 Watts
Feed System / Position	:	Direct / Base
Standard Mount	:	"SL-S" UHF
Cable Length / Type	:	5 m / RG 58

Mechanical Data

Materials	:	Stainless Steel 17/7 PH, Brass, Nylon
Height (approx.)	:	535 mm
Weight (approx.)	:	360 gr
Mounting Hole	:	\varnothing 19 mm

MOUNTING INSTRUCTIONS



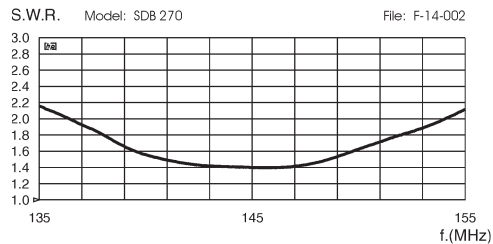
REMARK:

Be careful during installation do not use too much strenght but tighten the metal ring **A** by means of the suitable tool. **TIGHTENING TORQUE: 4 Nm \pm 10%**

ATTENZIONE:

Porre attenzione durante l'installazione. Non serrare con troppa forza ma avvitare l'anello metallico **A** utilizzando la chiave adeguata. **COPPIA DI SERRAGGIO: 4 Nm \pm 10%**

TYPICAL S.W.R. RESPONSE



TYPICAL S.W.R. RESPONSE

