

# SPECIFICATION

## MODEL

### CX-520D

IMPEDANCE/50 Ohms.

#### VOLTAGE

ACTUATION DATA :

VOLTAGE :

Pull in ..... 10Vdc - 14Vdc (12Vdc Nominal)

Drop out ..... 3.0Vdc Min.

Current ..... 139mA @12Vdc 20°C

Coil resistance ... 86 Ohms 10% 20°C

#### SWITCHING TIME

SWITCHING TIME :

Pull in ..... 20ms max.

Drop out ..... 15ms max.

LIFE EXPECTANCY ... 1,000,000. - Operation min.

#### MECHANICAL

MECAHANICAL :

Contact arrangement ..... SPDT

Operational temperature ..... - 25°C to + 50°C (Max Temperature Rise:20c)

Weight ..... Approx 230gs.

Mounting ..... Four screws

Cable connections ..... 3 N Type female Connectors

#### ELECTRICAL CHARACTERISTICS

ELECTRICAL CHARACTERISTICS :

Frequency	VSWR	Isolation	Ins.Loss	IN PUT RF Power
MHz	Max	-dB(min)	-dB(max)	KW
50	1.005	65	0.1	0.35
150	1.01	60	0.15	0.3
500	1.03	53	0.18	0.3
1000	1.05	46	0.2	0.25
1500	1.17	42	0.2	0.2
2000	1.2	39	0.25	0.15

#### COIL CHARACTERISTICS

COIL CHARACTERISTICS :

Nominal Voltage

12Vdc

Voltage Range

10Vdc - 14Vdc

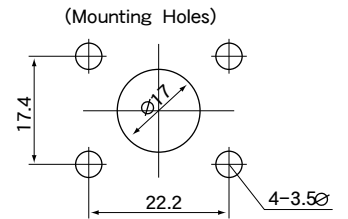
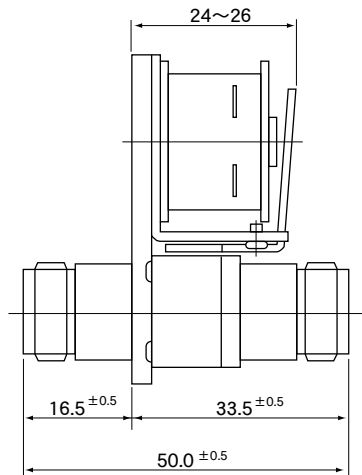
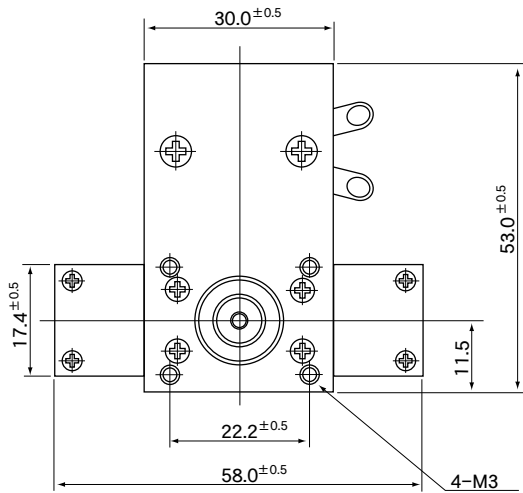
Resistance Ohms

86 ±10% 20°C

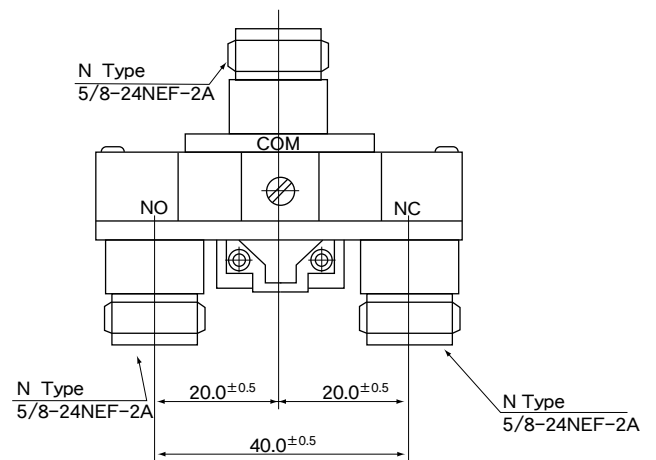
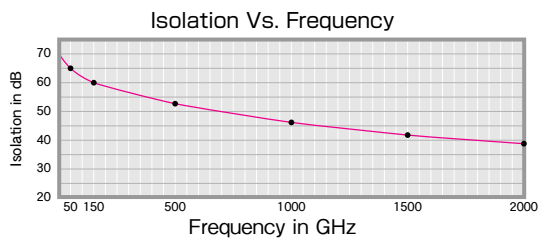
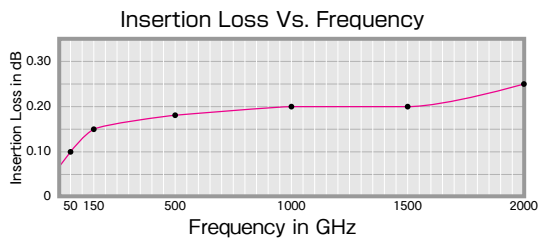
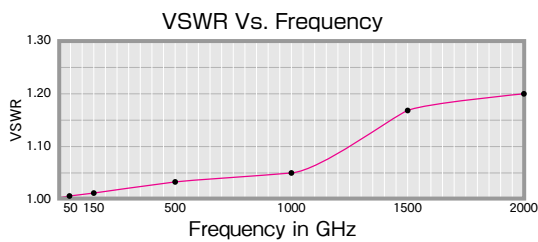
Note : Other voltages are also available at option.

# DIMENSIONS

SCALE m/n



# Typical Operating Curves



# Schematic

