

Thank you for purchasing the **RC-28** REMOTE ENCODER. The RC-28 is designed to connect to a PC through a USB port, and operate with the RS-BA1 IP REMOTE CONTROL SOFTWARE.

Please read these instructions thoroughly before using the RC-28.

## PRECAUTIONS

⚠ **WARNING! NEVER** disassemble the RC-28 (controller). Incorrect reassembly may result in a fire hazard or electric shock.

⚠ **WARNING! NEVER** operate or touch the controller with wet hands. This may result in an electric shock or damage to the controller.

⚠ **WARNING! NEVER** let metal, wire or other objects intrude into the controller. This may result in an electric shock.

**CAUTION: NEVER** expose the controller to rain, snow or any liquids.

**CAUTION: DO NOT** drop or otherwise impact the controller. This may damage the controller.

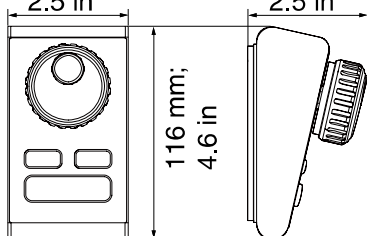
**KEEP** the controller out of reach of children.

**DO NOT** use harsh solvents such as benzine or alcohol when cleaning, as they can damage the controller's surfaces.

**BE SURE** to connect the controller to only the PC. Otherwise it will not work properly.

## SPECIFICATIONS

- Input voltage : DC 5 V±5% (Supplied by the PC's USB port)
- Operating temperature range : -10°C to +60°C; +14°F to +140°F
- Weight (approximately) : 440 g; 15.5 oz (no including USB cable)
- Dimensions (approximately) : 64 mm; 2.5 in; 64 mm; 2.5 in; 116 mm; 4.6 in



All stated specifications are subject to change without notice or obligation.

### About CE

**CE** The RC-28 comply with the essential requirements of the 2004/108/EC directive for Electromagnetic Compatibility.

## FCC INFORMATION

### • FOR CLASS B UNINTENTIONAL RADIATORS:

This equipment has been tested and found to comply with the limits for a Class B digital device, pursuant to part 15 of the FCC Rules. These limits are designed to provide reasonable protection against harmful interference in a residential installation. This equipment generates, uses, and can radiate radio frequency energy and, if not installed and used in accordance with the instructions, may cause harmful interference to radio communications. However, there is no guarantee that interference will not occur in a particular installation. If this equipment does cause harmful interference to radio or television reception, which can be determined by turning the equipment off and on, the user is encouraged to try to correct the interference by one or more of the following measures:

- Reorient or relocate the receiving antenna.
- Increase the separation between the equipment and receiver.
- Connect the equipment into an outlet on a circuit different from that to which the receiver is connected.
- Consult the dealer or an experienced radio/TV technician for help.

**CAUTION:** Changes or modifications to this controller, not expressly approved by Icom Inc., could void your authority to operate this controller under FCC regulations.

## SUPPLIED ITEMS

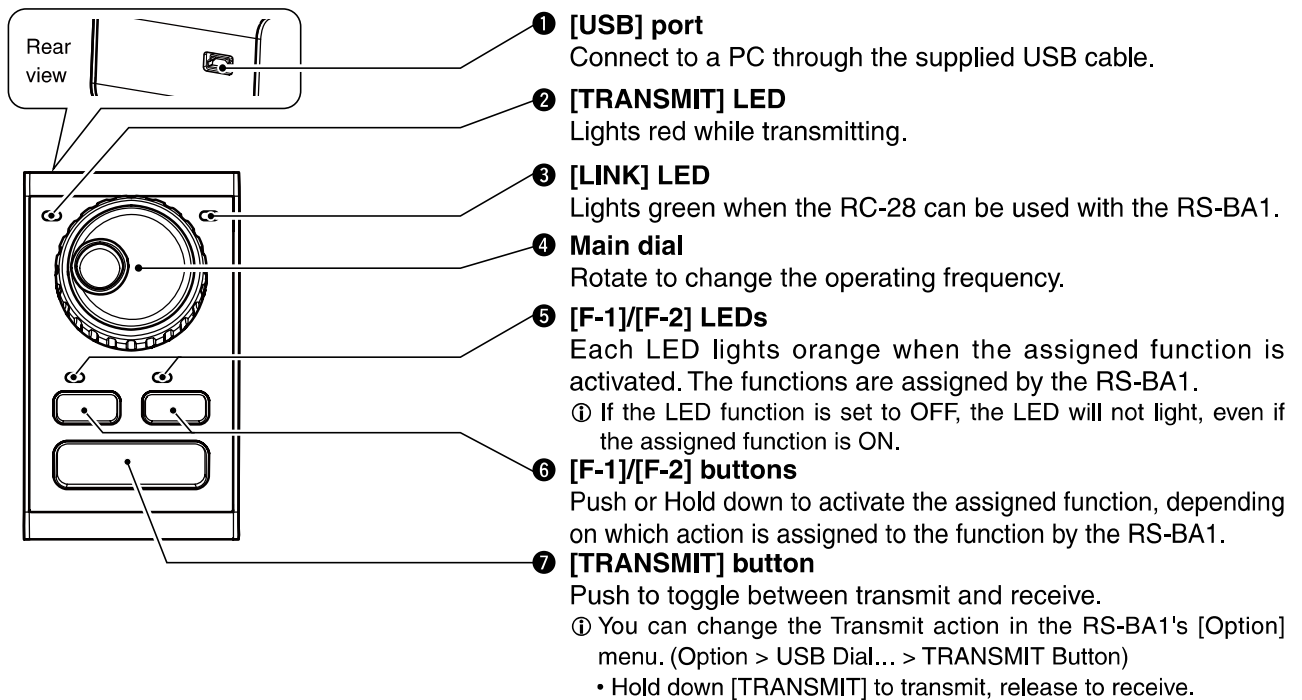
Items	Qty.
USB cable (approximately 1.5 m; 4.9 ft) .....	1
Instructions (this leaflet).....	1

## DISPOSAL



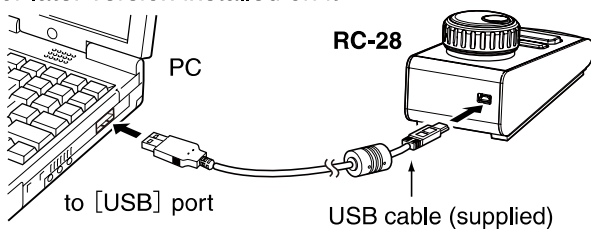
The crossed-out wheeled-bin symbol on your product, literature, or packaging reminds you that in the European Union, all electrical and electronic products, batteries, and accumulators (rechargeable batteries) must be taken to designated collection locations at the end of their working life. Do not dispose of these products as unsorted municipal waste. Dispose of them according to the laws in your area.

## PANEL DESCRIPTION



## TO USE RC-28

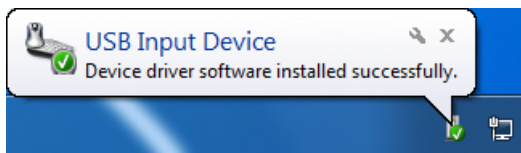
- ① Make sure Windows has completed its start-up.
- ② Connect the RC-28 to the PC that has RS-BA1 1.30 or later version installed on it.



- **DO NOT** connect the RC-28 using a third party's USB cable or any USB hub. The RC-28 may not work properly.
- The RC-28 cannot be used with RS-BA1 1.20 or earlier versions. Please download the latest version from the Icom website, and install it.

<http://www.icom.co.jp/world/index.html>

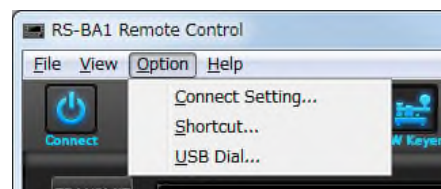
- ① When first connecting the RC-28 to the PC, wait until "Device driver software installed successfully." is displayed.



- ③ Start up the RS-BA1 Remote control software.
  - The [LINK] LED lights green. (See 'PANEL DESCRIPTION' ③.)
- ④ Now you can control assigned functions of the RS-BA1 using the RC-28.

- If the [LINK] LED does not light, check the following.

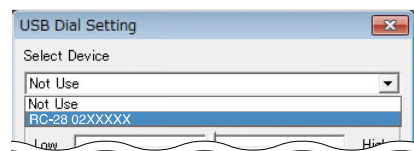
- ① Click the [Option] menu on the RS-BA1's Top menu, and then click "USB Dial..." to open the USB Dial Setting screen.



When the "USB dial..." item on the [Option] menu is not displayed, download the latest software from the Icom website, and install it.

<http://www.icom.co.jp/world/index.html>

- ② If the "Select Device" item is set to "Not Use," set it to the RC-28's serial number. (example: RC-28 02XXXXX)



Icom, Icom Inc. and the Icom logo are registered trademarks of Icom Incorporated (Japan) in Japan, the United States, United Kingdom, Germany, France, Spain, Russia and/or other countries.