

## CB-HDS

### 3/8"-24 Heavy Duty Stud with SO-239 connector

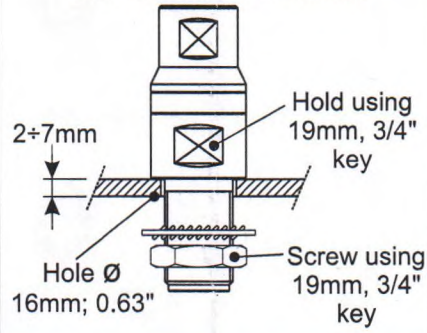
- CB Heavy-Duty antenna stud
- Nickel Plated brass construction
- Fits 16mm/0.63" hole
- Fixing thickness from 2 to 7 mm



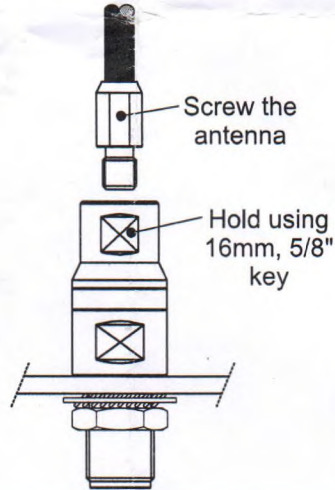
SO-239  
for PL-259  
connection

## MOUNTING INSTRUCTIONS

### 1st STEP: Mount on bracket



### 2nd STEP: Mount the antenna



HI-QUALITY ANTENNAS MADE IN ITALY